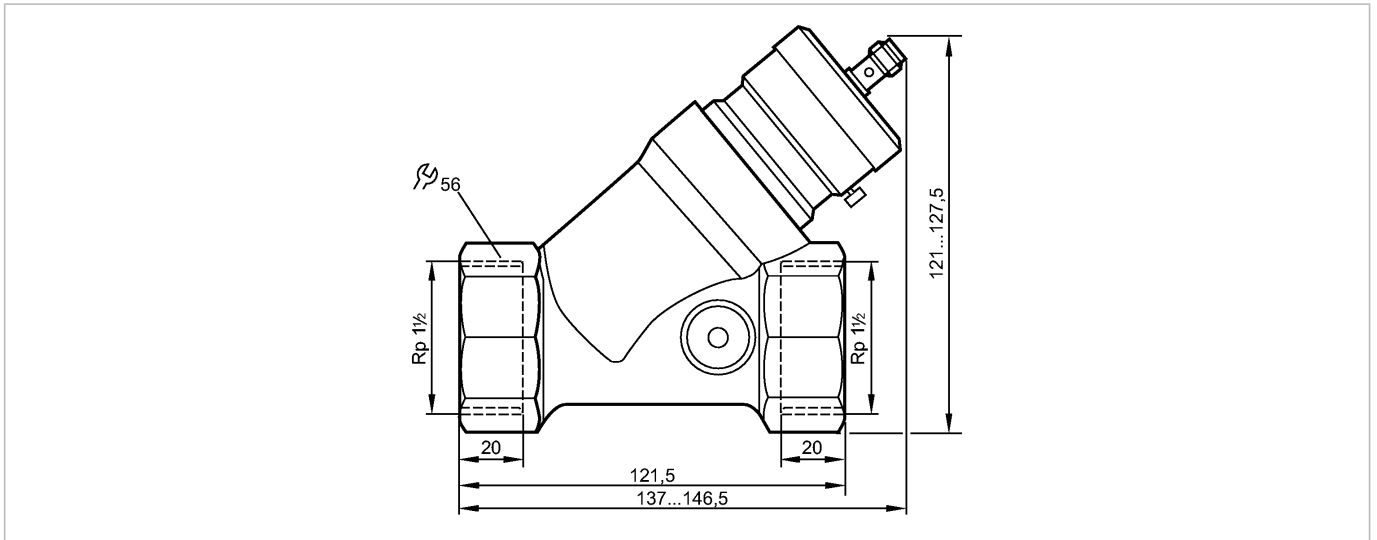


SBY357

SBY32BF0BPKG/US

Flow sensors



Made in Germany

Product characteristics

| | |
|------------------------------|--|
| Flow monitor | |
| with non-return valve | |
| Process connection: Rp 1½ | |
| Switch point adjustable | |
| Measuring range: < 200 l/min | |

Application

| | |
|-------------------------|---|
| Application | liquids (water, glycol solutions, oils) |
| Medium temperature [°C] | 0...85 |

Electrical data

| | |
|-----------------------------|---------------------|
| Electrical design | DC PNP |
| Operating voltage [V] | 24 DC (-15% / +10%) |
| Current consumption [mA] | < 15 |
| Protection class | III |
| Reverse polarity protection | yes |

Outputs

| | |
|--------------------------|---------------|
| Output function | normally open |
| Current rating [mA] | 100 |
| Voltage drop [V] | < 2.5 |
| Short-circuit protection | yes |
| Overload protection | yes |

Measuring / setting range

| | |
|-------------------------|-------------|
| Measuring range [l/min] | < 200 |
| Flow range [l/min] | < 200 |
| Set point, SP [l/min] | 20...200 *) |

Accuracy / deviations

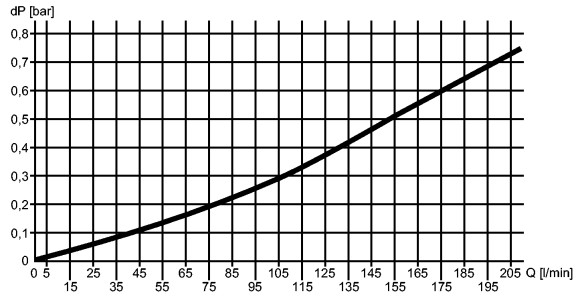
| | |
|---------------------------------|--------|
| Hysteresis [l/min] | 5...10 |
| Repeatability [l/min] | 1 |
| Accuracy [% of the final value] | ± 5 |

SBY357

SBY32BF0BPKG/US

Flow sensors

Pressure loss (dP) / flow rate (Q)



Reaction times

Response time [s] < 0.01

Environment

Pressure rating [bar] 25

Ambient temperature [°C] 0...60

Protection IP 67

Tests / approvals

MTTF [Years] 15.78

Mechanical data

Process connection Rp 1½

Materials (wetted parts) stainless steel (304S15); Brass chemically nickel-plated; PP (polypropylene); O-ring: FPM (Viton)

Housing materials Brass chemically nickel-plated; aluminium anodised; PP (polypropylene)

Switching cycles min. 10 million

Weight [kg] 1.349

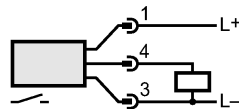
Displays / operating elements

Output status indication LED yellow (4 x 90°)

Electrical connection

Connection M12 connector

Wiring



Remarks

Remarks *) One complete turn corresponds to approx. 18 l/min
Attention: Do not turn the setting screw beyond the maximum value of the setting range.

Pack quantity [piece] 1