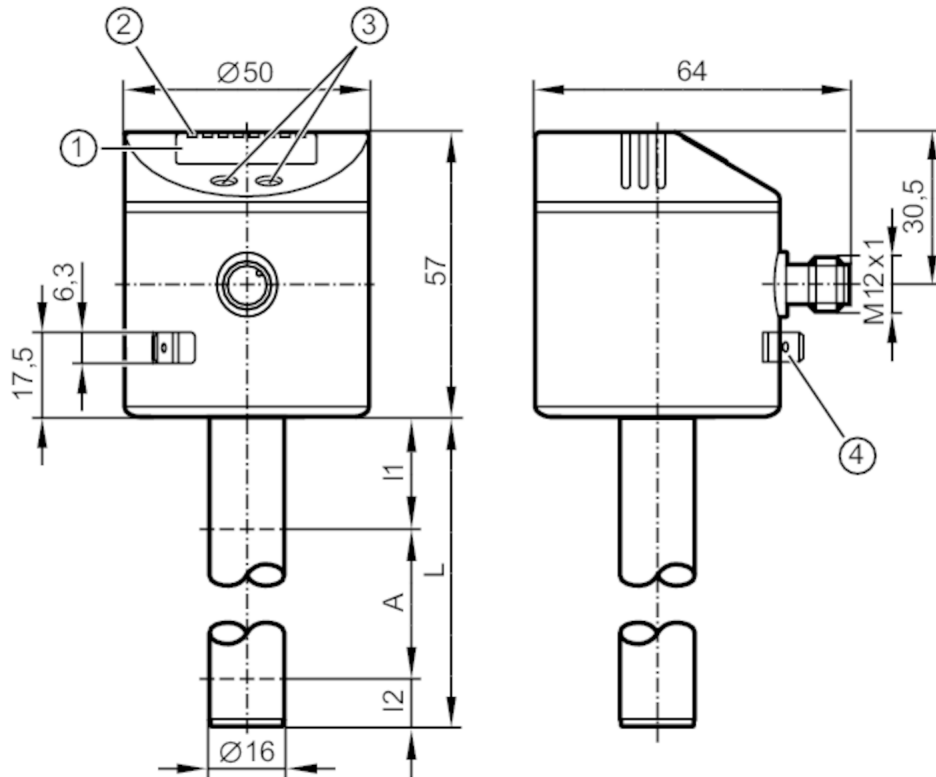


LK3123



Electronic level sensor

LK0472B-B-00KLPKG/US



- 1 alphanumeric display 4-digit
- 2 status LEDs
- 3 programming buttons
- 4 housing connection flat-pin connector 6.3 mm DIN 46244



Product characteristics

Number of inputs and outputs	Number of digital outputs: 1; Number of analogue outputs: 1
Factory setting	hydrous coolants; water; media similar to water
Probe length L [mm]	472

Application

Media	hydrous coolants; oils; oil-based media; water; media similar to water
Dielectric constant of the medium	> 2
Cannot be used for	extremely conductive media; adhering media; granulates; bulk material; acids; alkali; food and electroplating industry
Maximum speed of the change of level [mm/s]	200
Tank pressure [bar]	0.5; (when mounting with mounting accessories: E43001 - E43007, E43019)

Coolants

Medium temperature [°C]	0...35; (with climatic tube E43101: 35...60 °C)
-------------------------	---

Oil

Medium temperature [°C]	0...70
Medium temperature short time [°C]	0...90; (< 1 h)

LK3123



Electronic level sensor

LK0472B-B-00KLPKG/US

Water		
Medium temperature	[°C]	0...35; (with climatic tube E43101: 35...60 °C)
Electrical data		
Operating voltage	[V]	18...30 DC
Current consumption	[mA]	< 50
Protection class		III
Reverse polarity protection		yes
Power-on delay time	[s]	< 3
Inputs / outputs		
Number of inputs and outputs		Number of digital outputs: 1; Number of analogue outputs: 1
Outputs		
Total number of outputs		2
Output signal		switching signal; analogue signal; IO-Link
Electrical design		PNP/NPN
Number of digital outputs		1
Output function		normally open / normally closed; (parameterisable)
Max. voltage drop switching output DC	[V]	2.5
Permanent current rating of switching output DC	[mA]	200
Number of analogue outputs		1
Analogue current output	[mA]	4...20, invertible
Max. load	[Ω]	500
Analogue voltage output	[V]	0...10, invertible
Min. load resistance	[Ω]	2000
Short-circuit protection		yes
Type of short-circuit protection		thermal, pulsed
Overload protection		yes
Measuring/setting range		
Factory setting		hydrous coolants; water; media similar to water
Probe length L	[mm]	472
Active range A	[mm]	390
Inactive range I1 / I2	[mm]	60 / 22
Setting range		
Set point SP	[mm]	35...390
Reset point rP	[mm]	30...385
Hysteresis	[mm]	5
Reference point OP	[mm]	139 - 163 - 188 - 212 - 236 - 261 - 285 - 310 - 334 - 358 - 383 - 407 - OFF
Hysteresis, OP	[mm]	3
Accuracy / deviations		
Measuring error		± 5

LK3123



Electronic level sensor

LK0472B-B-00KLPKG/US

[% of the final value]		
Repeatability		± 2
Resolution	[mm]	5
Zero signal (voltage)	[V]	0
Zero signal (current)	[mA]	4.0
Full signal (voltage)	[V]	10
Full signal (current)	[mA]	20

Software / programming

Parameter setting options	hysteresis / window; normally open / normally closed; switching logic; current/voltage output; SP/rP position; adjustment OP; medium selection; offset setting; switch-on/switch-off delay
---------------------------	--

Interfaces

Communication interface	IO-Link
Transmission type	COM2 (38,4 kBaud)
IO-Link revision	1.1
SDCI standard	IEC 61131-9
IO-Link device ID	0x00028A
Profiles	Smart Sensor: Process Data Variable; Device Identification, Device Diagnosis
SIO mode	yes
Required master port type	A
Process data analogue	2
Process data binary	1
Min. process cycle time	[ms] 3.2

Operating conditions

Ambient temperature	[°C] 0...60
Storage temperature	[°C] -25...80
Protection	IP 67

Tests / approvals

EMC	DIN EN 61000-6-4	
	DIN EN 61000-6-2	
Shock resistance	DIN EN 60068-2-29	15 g (11 ms)
Vibration resistance	DIN EN 60068-2-6	5 g (10...2000 Hz)
MTTF	[years] 194	

Mechanical data

Weight	[g] 442
Dimensions	[mm] Ø 16
Materials	stainless steel (1.4301 / 304); stainless steel (1.4404 / 316L); FKM; NBR; PBT; PC; PA; PP; TPV
Materials (wetted parts)	PP

Displays / operating elements

Display	display unit / status	2 x LED, green (cm, inch)
	switching status	1 x LED, yellow
	measured values	alphanumeric display, 4-digit
	parameter setting	alphanumeric display, 4-digit

LK3123



Electronic level sensor

LK0472B-B-00KLPKG/US

Remarks

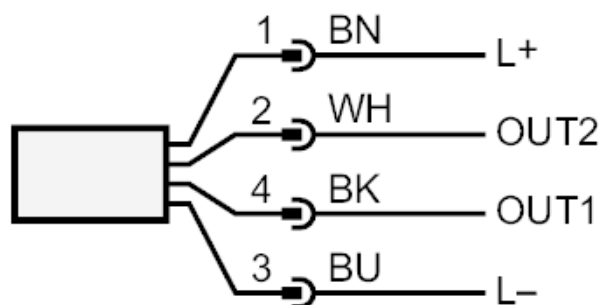
Notes	Please see the technical note under "Downloads"
Pack quantity	1 pcs.

Electrical connection

Connector: 1 x M12; Contacts: gold-plated



Connection



OUT1: switching output IO-Link

OUT2: analogue output

colours to DIN EN 60947-5-2

OUT1: switching output

OUT2: analogue output

Core colours :

BK = black

BN = brown

BU = blue

WH = white