

Sensors for pH Measurement



PL H-93 Memosens pH Sensor

Combination pH sensor for high alkaline liquids

The PL H-93 pH Memosens® sensor is designed for high alkaline liquids and suspended solids. The specially formulated H-glass is ideal for compensating measurement errors commonly found in high pH liquids. The sensor's life is also extended using KCL storage rings which helps prevent poisoning of the Silamid reference.

Facts

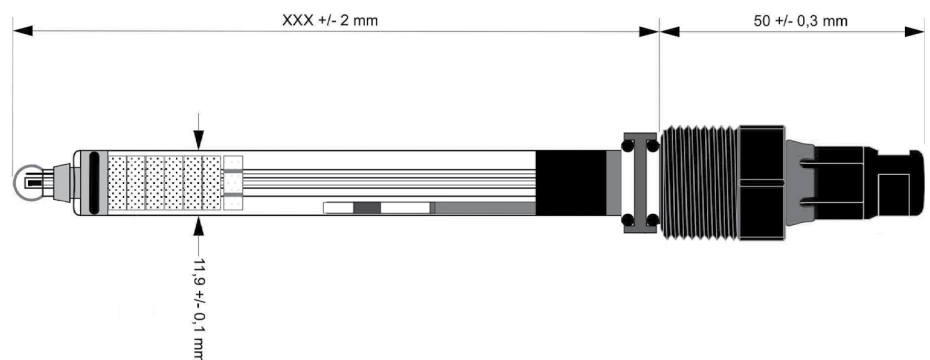
- Dirt-repellant PTFE annular junction
- Low maintenance gel electrolyte
- Patented Silamid® reference electrode extends sensor life
- High pressure rating, up to 172 psi (12 bar)

Ideal for use in chemical plants, plants, waste incinerators and plastics production.

Specifications

pH:	0 ... 14
Temperature:	32 ... 275°F (0 ... 135°C)
Pressure:	14 ... 180 psig (1 ... 12 bar)
Temperature detector:	NTC 30 kohms
Sensor material:	H Glass
Reference system:	Salamid® Ag/AgCl with Rheolid® gel electrolyte
Junction:	PTFE ring
Length:	120, 225, & 325 mm
Process connection:	Screw plug head with Pg 13.5 thread
Sensor cap:	Memosens
ATEX marking:	II 1G Ex ia IIC T3/T4/T6 Ga

Dimensional Drawing



Product Range		Order No.
PL H-93	Memosens	PL H-93-120-NMSN
		PL H-93-225-NMSN
		PL H-93-325-NMSN
	Length 120 mm	
	Length 225 mm	
	Length 325 mm	

Accessories		Order No.
Memosens cable	3 m	CA/MS-003NAA
	5 m	CA/MS-005NAA
	10 m	CA/MS-010NAA
	20 m ^{*)}	CA/MS-020NAA

Buffer Solutions (20 °C)	Quantity	Order No.
pH value 2.00 ± 0.02	250 ml	CS-P0200/250
pH value 4.00 ± 0.02	250 ml	CS-P0400/250
	1000 ml	CS-P0400/1000
	3000 ml	CS-P0400/1000
pH value 7.00 ± 0.02	250 ml	CS-P0700/250
	1000 ml	CS-P0700/1000
	3000 ml	CS-P0700/1000
pH value 9.00 ± 0.02	250 ml	CS-P0900/250
	1000 ml	CS-P0900/1000
	3000 ml	CS-P0900/1000
pH value 12.00 ± 0.05	250 ml	CS-P1200/250