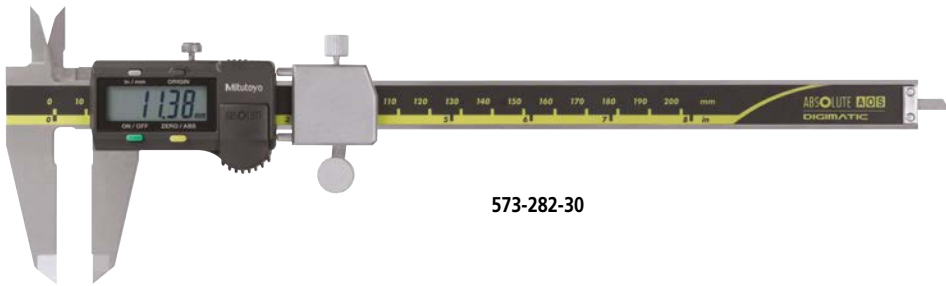


Calipers

SERIES 573 – ABSOLUTE Digimatic Snap Caliper

- Features a 'snap action' movement control of the slider via a spring-loaded mechanism attached to a movable clamp on the beam.
- Enables quick and efficient repetitive GO/NO-GO inspection of a specific dimension on mass produced parts by just moving a lever.
- Can measure outside and inside dimensions, depth, and steps.
- Measuring force: 7 - 14 N (700 - 1400 gf).
- The slider can be retracted by up to 2 mm from the measuring position.
- Features Mitutoyo's ABSOLUTE system. No need to reset the origin after switching on.
- Slider operation is smooth and comfortable.
- Data output function allows integration into statistical process control and measurement systems.



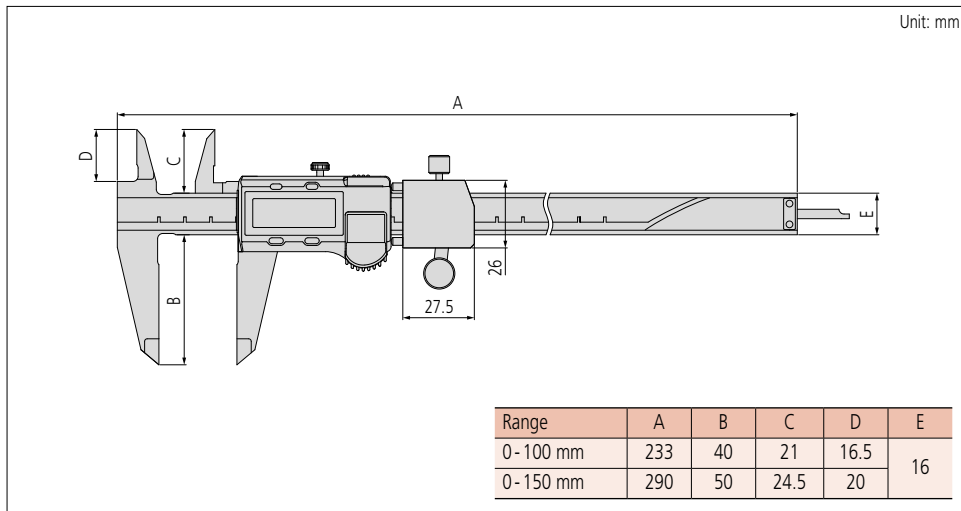
Specifications

Inch/Metric

Code No.	Range	Resolution	Accuracy*
573-281-30	0 - 100 mm (0 - 4")	0.01 mm (.0005")	±0.02 mm (±.001")
573-282-30	0 - 150 mm (0 - 6")		

* Excluding quantizing error.

Dimensions



Technical Data

Repeatability:	0.01 mm
Scale type:	ABSOLUTE electrostatic linear encoder
Jaw retraction:	2 mm
Max. response speed:	Unlimited
Battery:	SR44 (1 pc.), 938882
Battery life:	Approx. 3.5 years under normal use

Optional Accessories

Code No.	Description
959143	Data hold unit
959149	SPC data cable with pushbutton (1 m)
959150	SPC data cable with pushbutton (2 m)
02AZD790C	U-WAVE-T data cable with pushbutton (160 mm)
02AZE140C	U-WAVE-T data cable with pushbutton and footswitch connection (160/500 mm)
06AFM380C	USB input tool direct USB-ITN-C (2 m)



Spring-loaded action enables rapid repetitive measurement.