

Calipers

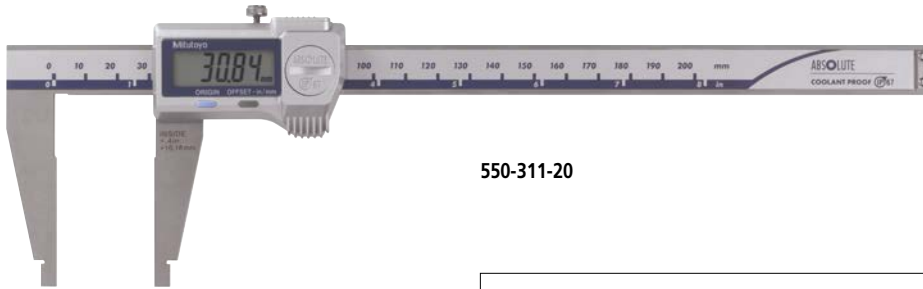
SERIES 550 – ABSOLUTE Digimatic Nib Jaw Caliper

- Offers a resolution of 0.01 mm with corresponding accuracy.
- Incorporates Mitutoyo's ABSOLUTE measurement system. No need to reset the origin after switching on.
- Models 550-311-20 and 550-341-10 are IP67 rated.
- Data output function allows integration into statistical process control and measurement systems.
- OFFSET button automatically adds the thickness of the inside jaws to the measured value so that the result can be read directly (550-311-20 and 550-341-10). Preset function enables an arbitrary reference value to be added to the measured value for comparison measurements (550-341-10).

MeasurLink[®] ENABLED
Data Management Software by Mitutoyo

ABSOLUTE

IP67



550-311-20



550-223-10

Specifications

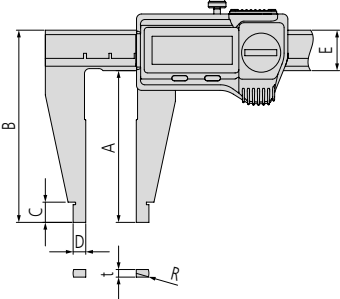
Inch/Metric			
Code No.	Range*1	Accuracy*2	Remarks
550-311-20	0-200 mm/0-8" (10-210 mm/.4-8.4")	±0.03 mm/±.0015"	IP67
550-341-10	0-300 mm/0-12" (10-310 mm/.4-12.4")	±0.05 mm/±.002"	IP67, with offset/preset functions for easy inside and comparison measurement
550-223-10	0-450 mm/0-18" (20-470 mm/.5-18.5")		
550-225-10	0-600 mm/0-24" (20-620 mm/.5-24.5")		
550-227-10	0-1000 mm/0-40" (20-1020 mm/1-41")	±0.07 mm/±.003"	—

*1 (): Inside measurement.

*2 Excluding quantizing error.

Note: Series 550 is not equipped with a depth bar.

Dimensions



Unit: mm

Range	A	B	C	D	E	t	R
0-200 mm	60	76	8	5	16	3	5
0-300 mm	75	95	12		20	3.8	
0-450 mm	100	125	18	10	25	6	10
0-600 mm					32	8	
0-1000 mm	140	172	24				

Technical Data

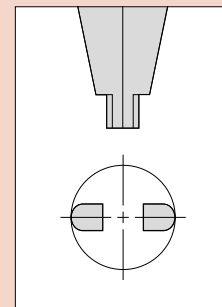
Resolution:	0.01 mm (.0005")
Scale type:	ABSOLUTE electromagnetic induction linear encoder
Max. response speed:	Unlimited
Battery:	SR44 (1 pc.), 938882
Battery life:	Approx. 3 years under normal use (1 year for models over 300 mm)

Dust/water protection level: IP67*3 (models up to 300 mm)

*3 Rustproofing treatment to be applied after use.

Optional Accessories

Code No.	Description
For 550-311-20 and 550-341-10	
264-620	U-WAVE-TC transmission unit (IP67 type)
02AZF310	U-WAVE-TC connection unit
05CZA624	SPC data cable with pushbutton (1 m)
05CZA625	SPC data cable with pushbutton (2 m)
06AFM380A	USB input tool direct USB-ITN-A (2 m)
For 550-223-10, 550-225-10 and 550-227-10	
959143	Data hold unit
959149	SPC data cable with pushbutton (1 m)
959150	SPC data cable with pushbutton (2 m)
02AZD790C	U-WAVE-T data cable with pushbutton (160 mm)
02AZE140C	U-WAVE-T data cable with pushbutton and footswitch connection (160/500 mm)
06AFM380C	USB input tool direct USB-ITN-C (2 m)



Radiused jaws for accurate ID measurement.